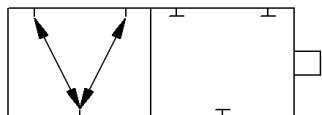


## MV/SV- Selector Hydraulic Valve 3 Way

### Functional Symbol:



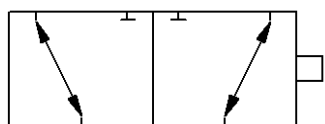
Single Selector float



MV Valve w/ Knob



SV Valve w/ Clevis and and Plated



Single Selector Standard

### Description:

The Metro MV, and SV Selector Valves with the standard spool may be used as an open or closed three way valve where flow is directed to an actuator i.e., single-acting cylinder in one position or flow from the actuator is allowed to return to tank, in the other position.

This valve may also be used as a three way valve where inlet flow is directed to either of the two ports.

### Operation:

The standard spool has an open crossover so, as the spool is being shifted, one outlet port begins to close and the other outlet port begins to open.

A closed crossover spool, as the spool is being shifted, flow is not allowed to crossover between outlet ports because flow is closed to the outlet ports for a moment while shifting.

An float spool where all ports are either open to each other or closed to each other. This option is designed to allow cylinders to float or motors to freewheel in such equipment as snowplows, combine headers, mower attachments, etc.

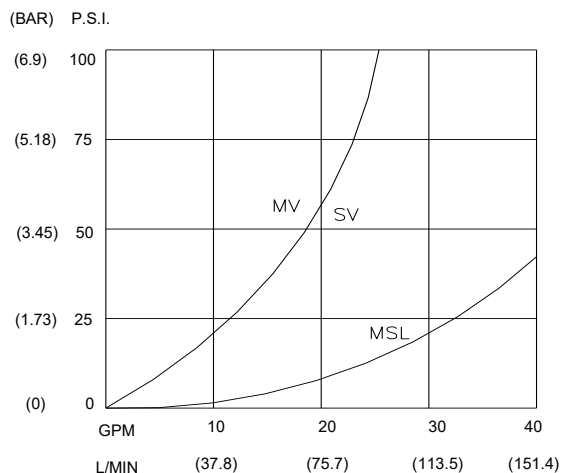
### Features:

- Easy to Mount
- Chrome Plated Spool, for long life
- High-Tensile Cast Iron Body
- Knob/ handle Options

### Specification:

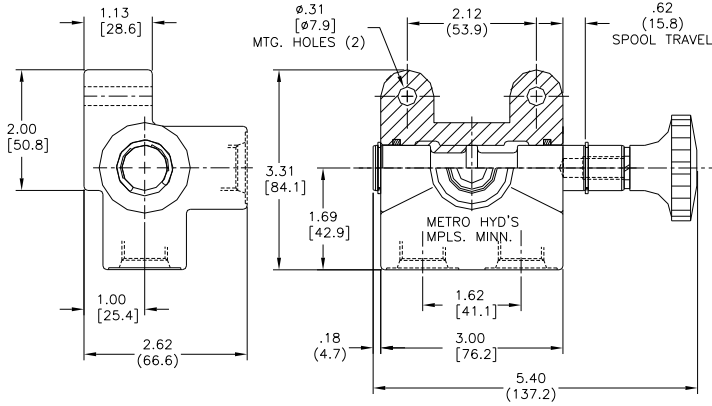
Flow Capacity	Pressure Rating	Temperature Range	Weight
20 GPM 75 (L/MIN)	3000 PSI (207 Bar)	-22° to + 194° F -30° to + 90° C	3.5 Pounds

### PRESSURE DROP CHARACTERISTICS

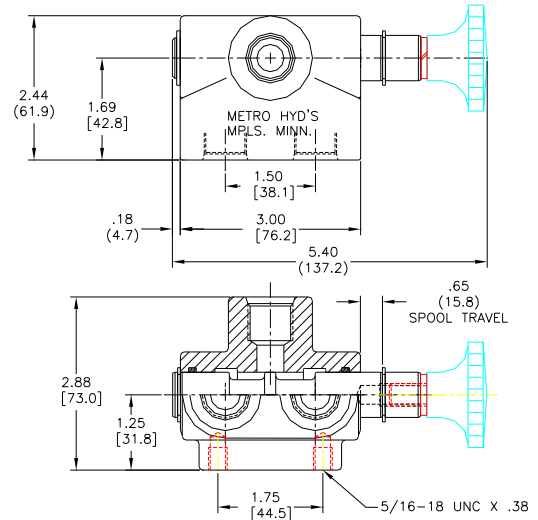


## MV/SV- Selector Hydraulic Valve 3 Way

### Technical:



**MV- Selector Hydraulic Valve**



**SV- Selector Hydraulic Valve**

### Installation Examples:

[Hydraulic Circuit- Selector Valve w Optional Float Spool](#)

### Ordering Instructions:

MV - 08 40 SR ZP

Model Number	Port Size	Spool Type Options	Spool Actuator	Spool Return Options	Finish Options
MV or SV	03 3/8"-18 NPT	Blank Standard Spool	Blank No Actuator	Blank None	Blank- Plain Casting
	04 1/2"-14 NPT	CC Closed Crossover	20 Knob	SR Spring Return	ZP- Zinc Plated
	06 #6 SAE, 9/16"-18	F Float	25 Alum. Knob	SE Spring Extended	
	08 #8 SAE, 3/4" - 16		30 Lever (MV Only)	R Reverse Spool	
	10 #10 SAE, 7/8"-14		40 Clevis	MR Reverse Spool, Spring Return	